

# INDEX+



Pathway bollard series. Fixtures consist of:

- Multi-step powder-coat painting process, optimized against UV rays and corrosion.
- Copper-free (<1%) precision die-cast aluminum and top cap.
- Copper-free (<1%) aluminum extruded post.
- Clear UV-stabilized, high-impact resistant diffuser.
- Custom molded, anti-aging gasket(s).
- Custom MCPCB utilized to maximize heat dissipation and promote long LED life.
- High-transparency polycarbonate optics for optimized light transmission.
- Type V light distribution.

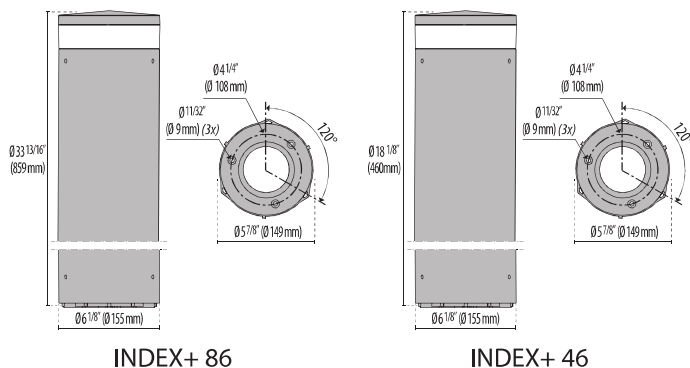
- Input voltage: 120-277 V (50 / 60 Hz), integral 0-10 V dimming driver.
- The luminaire may be configured with numerous options and multiple standard finishes. Not all options are available in all configurations. Consult factory for more information about specification sheet details to build your light.
- Anchor bolts available for bollards (ordered separately).
- Product meets Buy American Act (BAA) requirements within ARRA.
- 5-year warranty.
- Patent optical system IN SIDEIS®



## FINISHES

- AN-96 / Iron gray / Textured
- GR-94 / Aluminum metallic / Textured
- WH-87 / White / Textured
- BK-81 / Black / Textured
- RB-10 / Iron rust / Textured

Lumen Output	27K	3K	35K	4K	5K	57K	65K
INDEX+ 10W {min}	1036	1083	1114	1124	1124	1108	1093
INDEX+ 13W	1481	1547	1591	1605	1605	1583	1562
INDEX+ 18W {max}	1961	2049	2050	2120	2120	2091	2063



INDEX+ 86

INDEX+ 46



Scan here for  
installation instructions

PERFORMANCE IN LIGHTING reserves the right to make all necessary changes without prior notice

**PERFORMANCE IN LIGHTING USA, Inc.**  
2621 Keys Pointe Conyers GA 30013 - United States  
Tel: 770 822 2115

info.usa@pilighting  
www.performanceinlighting.com/us/us/

REVISION 01  
04/24

# Order Guide – INDEX+



Order code example: INDEX+-18-13W-4K-BK-UNV

SERIES	Bollard Height	Wattage	CCT	Finish	Voltage	Controls	Accessories
INDEX+ INDEX+	18 18 inch*	13W 13 watt	27K 2700 Kelvin	AM Aluminum Metallic	UNV 120-277V*	NA Non-Dim	
	33 33 inch*	18W 18 watt	3K 3000 Kelvin*	IG Iron Gray*	120V 120V only	0-10V 0-10V Dim*	
	XX specify height min 12" max 96"		35K 3500 Kelvin	IR Iron Rust		ELV ELV Dim 120v ONLY	
			4K 4000 Kelvin*	BK Textured Black*			
			5K 5000 Kelvin	WH Textured White			
				CC Custom Color			
							Base Details on following page

\*STANDARD OPTION, SHORTER LEAD TIME, NO MOQ\*  
 TEMPLATE AND ANCHOR BOLTS INCLUDED WITH FIXTURE  
 80 CRI STANDARD - OTHER OPTIONS AVAILABLE

## OPTIONAL ACCESSORIES

DESCRIPTION	FINISH	PART NUMBER
<b>INDEX+</b>		
Concrete mounting adaptor with stainless steel plate and galvanised steel rods		<b>14049320</b>
AISI 316 stainless steel floor installation base		<b>07966</b>
Square 11.14" - AISI 316 stainless steel floor installation base		<b>07967</b>



**14049320**



**07966**



**07967**